

CONVEYOR COVER



Conveyor Cover is well known as conveyor belt hood and used to protect transported material and conveyor belting, idlers and structure. It improves personnel safety, reduces loss of material to wind and stops grime and rain from damaging the idlers and belt.

Application: mostly used in power plant, cement factory, iron and steel factory, chemical factory, coal, port, jetty, mining...

Performance and Features

- ※ Proven strength, adaptability and low maintenance.
- ※ Lightweight elements simplify assembly, dismantling and re-use.
- ※ Zinc coating of the sections and support bands combine to provide long service life.
- ※ Designed to provide easy access for belt and idler repair.

We can provide

- ※ Fixed- type, Part open-close type, Whole open-close type
- ※ Available in blue, grey, white, red or other color as per client's need



※ Fixed type



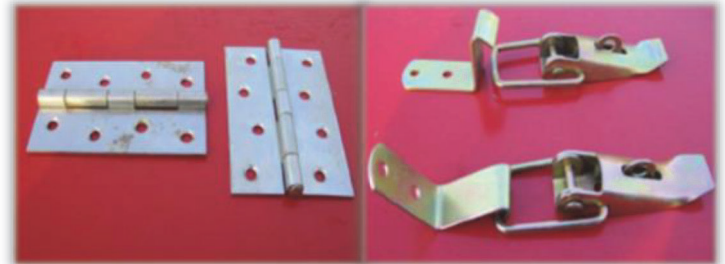
※ Part open-close type



※ Whole open-close type
Generally for large belt conveyor width



※ Conveyor cover parts
Generally for open-close type



DAMPER BUFFER RUBBER

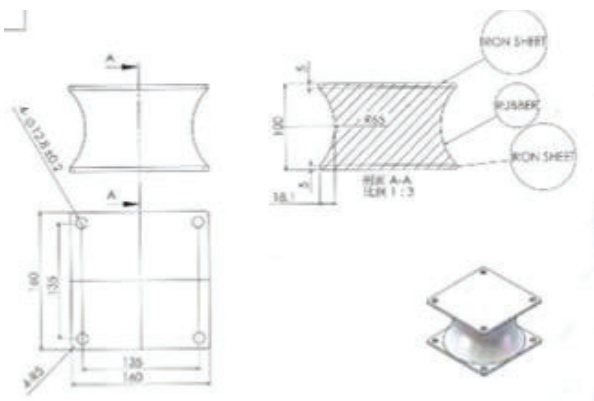


Application:

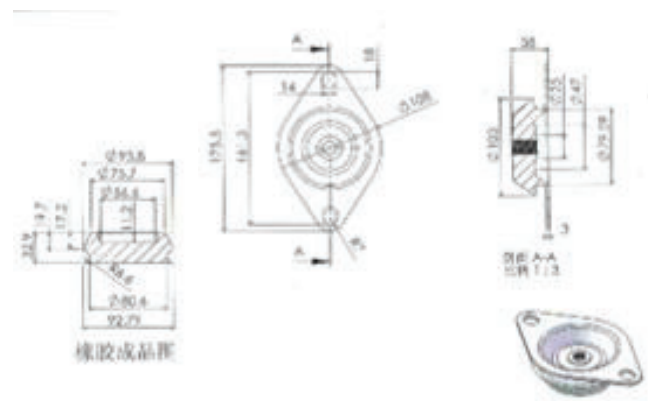
Used on the crusher, mobile screen and other type of mining machines; Absorbing impact loading to reduce shock and stress loading to the structure.

Features: Flexibility, non-toxic, anti-skid, anti-shedding, anti-aging, wear resistance, high and low temperature resistance, corrosion resistance.

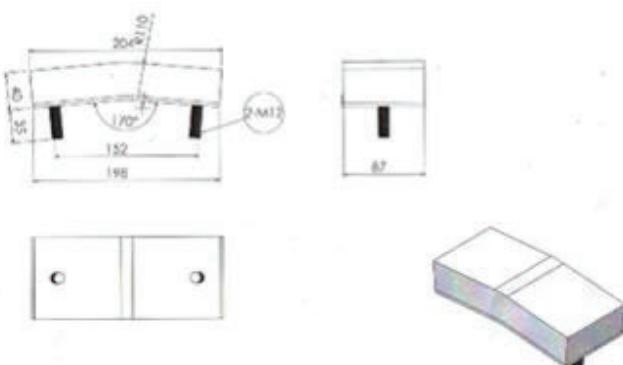
SCREEN DAMPER BUFFER



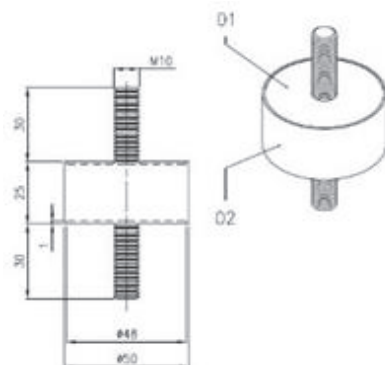
CAT ENG MOUNT



GRID RUBBER IMPACT



VIBRATION RUBBER



Springs



Springs are mainly used for engineering machinery and mining machinery, such as bulldozer, excavator, crusher, vibrating screen and ore table concentrator.

Material and Wire diameter



Materials: 60Si2MnA, 60CrMnA, 60Si2CrVA, 55CrSi, TDCrSi and TDSiMn.

Wire diameters: from 0.2mm to 80mm.

Spring Design

